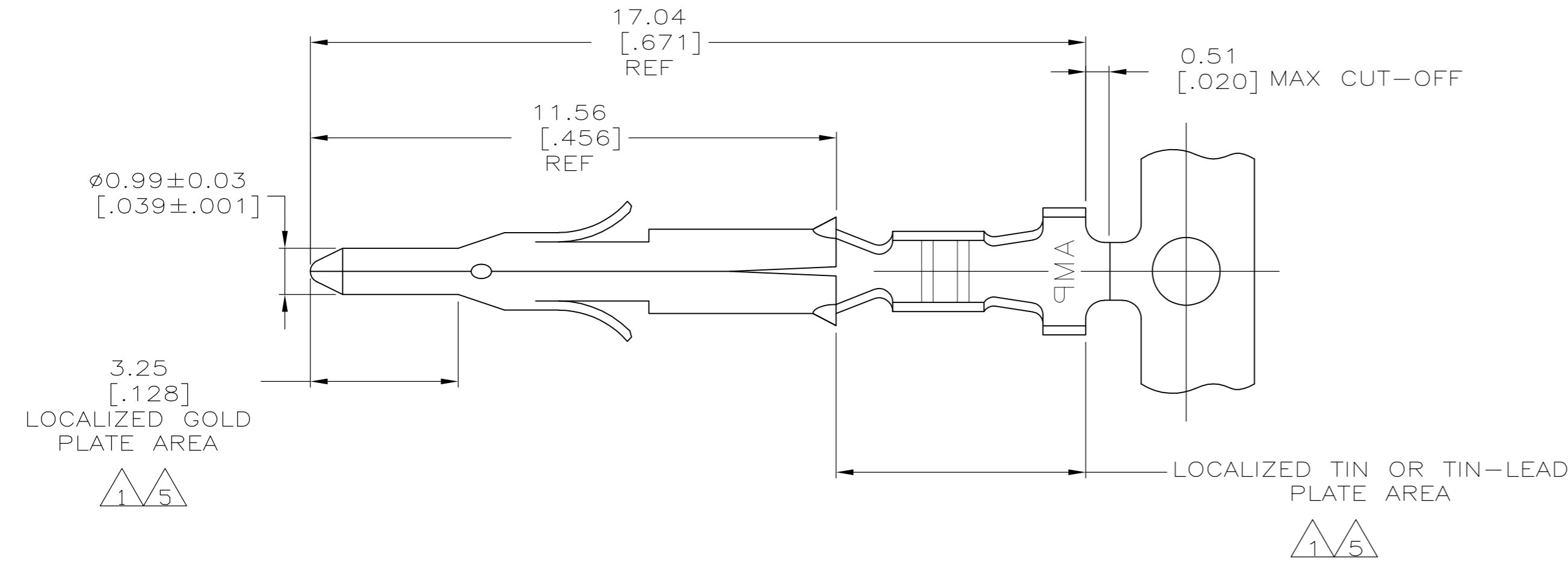
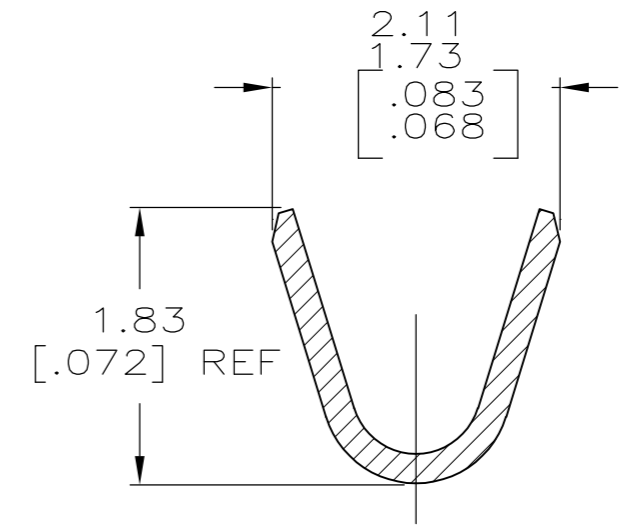
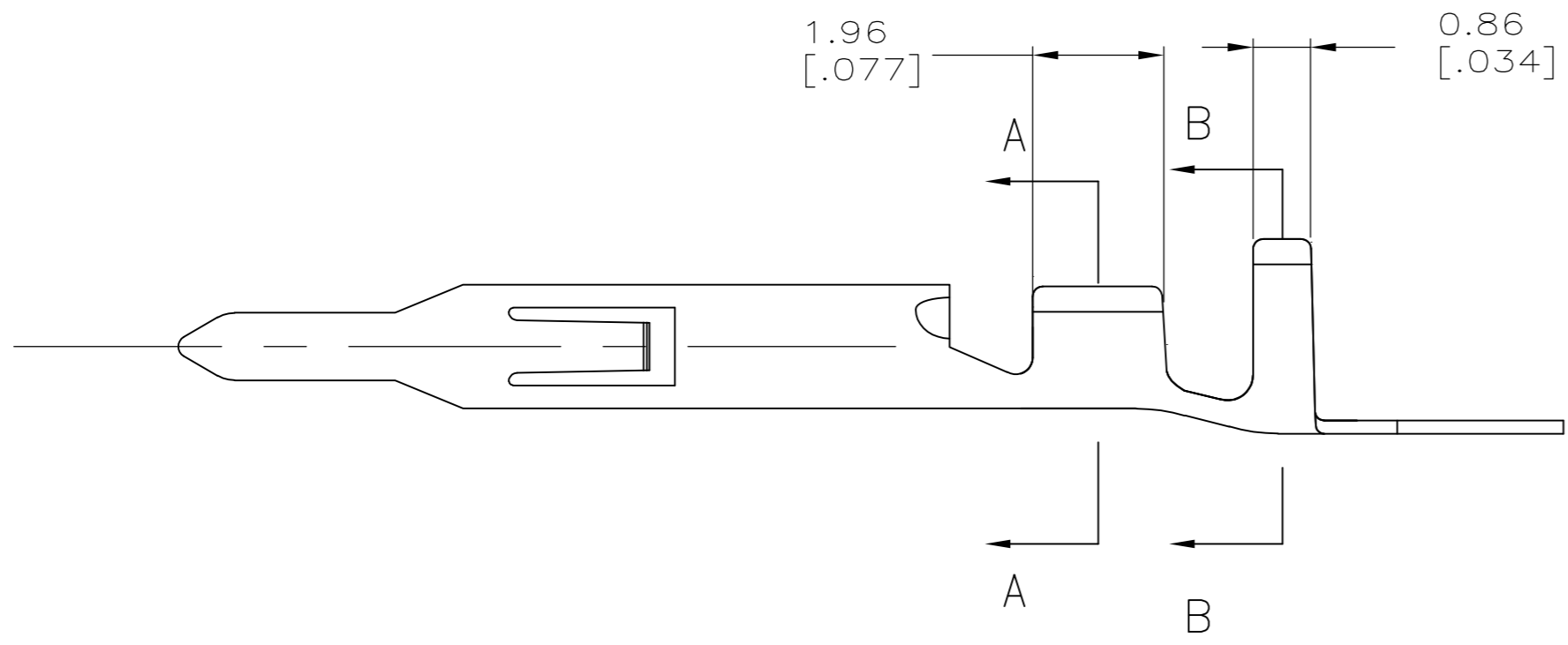


THIS DRAWING IS UNPUBLISHED. RELEASED FOR PUBLICATION
 © COPYRIGHT - By - ALL RIGHTS RESERVED.

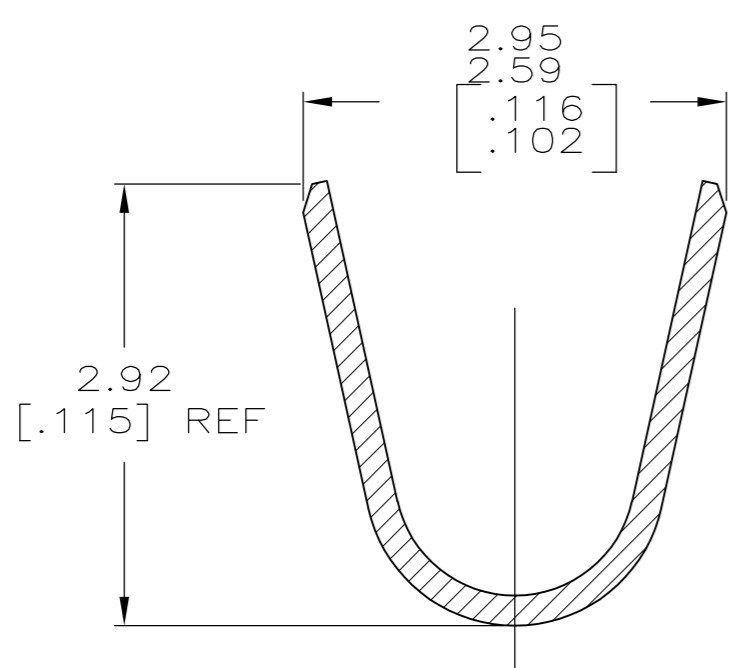
| LOC | | DIST | | REVISIONS | | | |
|-----|-----|-------------|---------------------------|-----------|-----|------|--|
| P | LTR | DESCRIPTION | | DATE | DWN | APVD | |
| CM | 00 | M1 | REVISED PER ECO-11-004820 | 11MAR11 | RK | HMR | |



- 1 0.00076 [.000030] MIN GOLD IN LOCALIZED GOLD PLATE AREA AND 0.00254 [.000100] MIN BRIGHT TIN-LEAD IN LOCALIZED TIN-LEAD PLATE AREA OVER 0.00130 [.000050] MIN NICKEL.
- 2 WIRE RANGE: 0.12 - 0.4mm² (26-22 AWG).
- 3 INSULATION RANGE: 1.20-1.75 [.047-.069] DIA.
- 4 DIMENSIONS IN BRACKETS ARE IN INCHES.
- 5 0.00076 [.000030] MIN GOLD IN LOCALIZED GOLD PLATE AREA AND 0.00254 [.000100] MIN BRIGHT TIN IN LOCALIZED TIN PLATE AREA OVER 0.00130 [.000050] MIN NICKEL.



SECTION A-A
 SCALE 20:1



SECTION B-B
 SCALE 20:1

| | | |
|---------|-------------------|-------------|
| 5 | 0.20 [.008] BRASS | 1-770901-0 |
| 1 | 0.20 [.008] BRASS | 770901-3 |
| PRE-TIN | 0.20 [.008] BRASS | 770901-1 |
| FINISH | MATERIAL | PART NUMBER |

| | | | | |
|--|------------------|-------------------------------|----------------------------|---------------------|
| THIS DRAWING IS A CONTROLLED DOCUMENT. | | DWN S.HOOVER 05MAR03 | STE TE Connectivity | |
| DIMENSIONS: mm [INCHES] | | CHK C.JONES 05MAR03 | | |
| TOLERANCES UNLESS OTHERWISE SPECIFIED: | | APVD C.JONES 05MAR03 | NAME | |
| 0 PLC ± - | PRODUCT SPEC | PIN | | |
| 1 PLC ± - | APPLICATION SPEC | MINI UNIVERSAL MATE-N-LOK(TM) | | |
| 2 PLC ± 0.13[.005] | WEIGHT | SIZE A2 | CAGE CODE 00779 | DRAWING NO C=770901 |
| 3 PLC ± - | CUSTOMER DRAWING | SCALE 10:1 | SHEET 1 OF 1 | REV M1 |
| 4 PLC ± - | | | | |
| ANGLES ± - | | | | |
| FINISH | | | | |